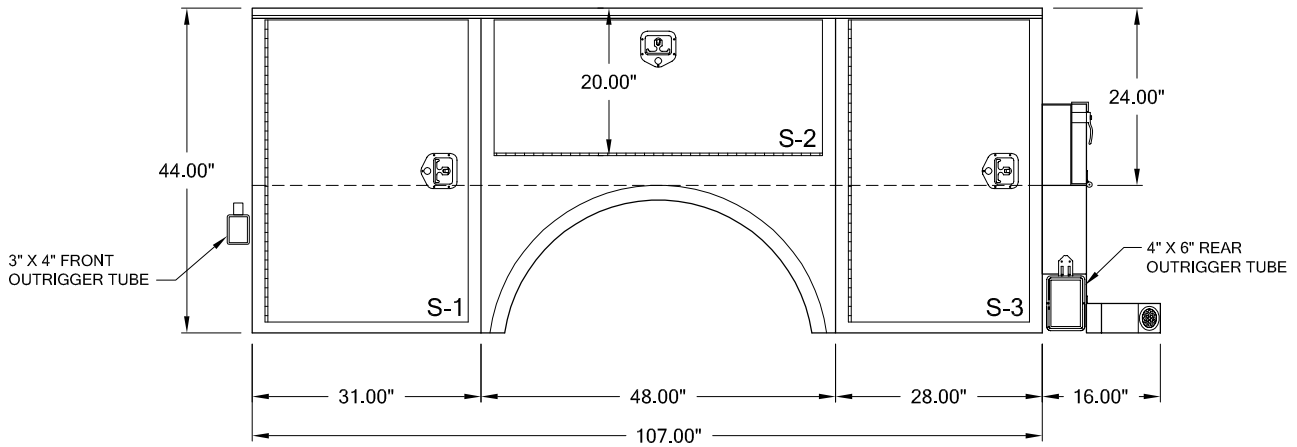
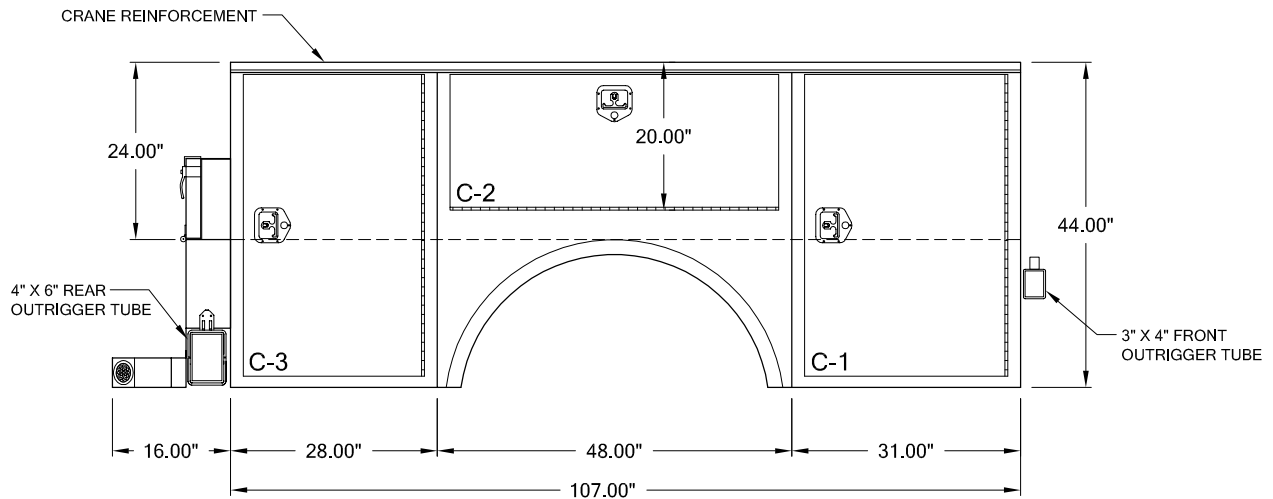


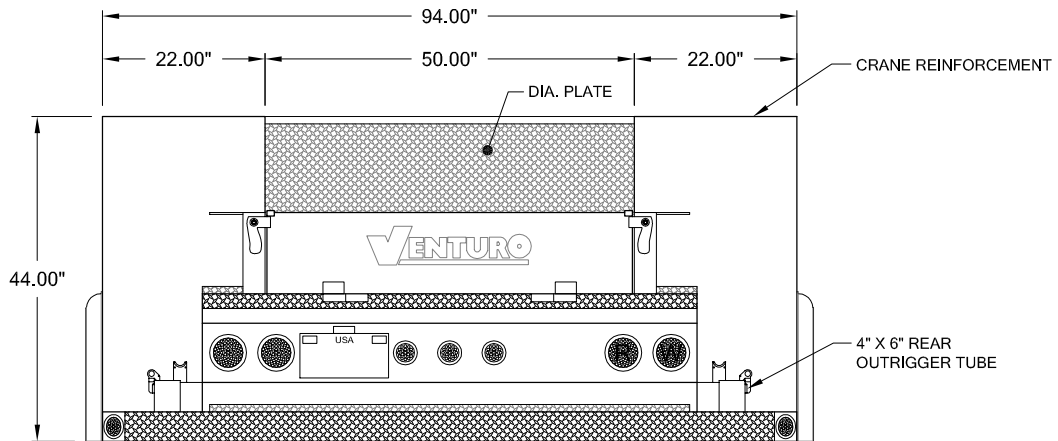
HT 25-107-FLT



STREET SIDE VIEW



CURB SIDE VIEW



REAR VIEW

NOTES:

- 14 GA. DIAMOND PLATE STEEL BED WALL & COMPT TOPS
- 14 GA. JET KOTE GALVANEAL STEEL BODY
- DOUBLE PANEL JET KOTE GALVANEAL STEEL DOORS W/ SPRING DOOR CHECKS
- FLAT 1/8" DIAMOND PLATE DECK WITHOUT WHEEL WELLS
- FULL LENGTH STAINLESS STEEL PIANO HINGE, PIN & T-HANDLE LATCHES W/ LOCKS
- FULL LENGTH DRIP RAIL OVER ALL COMPARTMENT DOORS
- UNOBSTRUCTED CRANE REINFORCED COMPARTMENTS
- TUBULAR LONGITUDINAL FRAME & CRANE COMPARTMENT CROSS MEMBERS
- AUTOMOTIVE TYPE DOOR SEALS & BODY UNDERCOATING

CLEAR DOOR OPENINGS	
S-1/C-1	= 38.00"H X 25.00"W
S-2/C-2	= 16.00"H X 42.00"W
S-3/C-3	= 38.00"H X 22.00"W



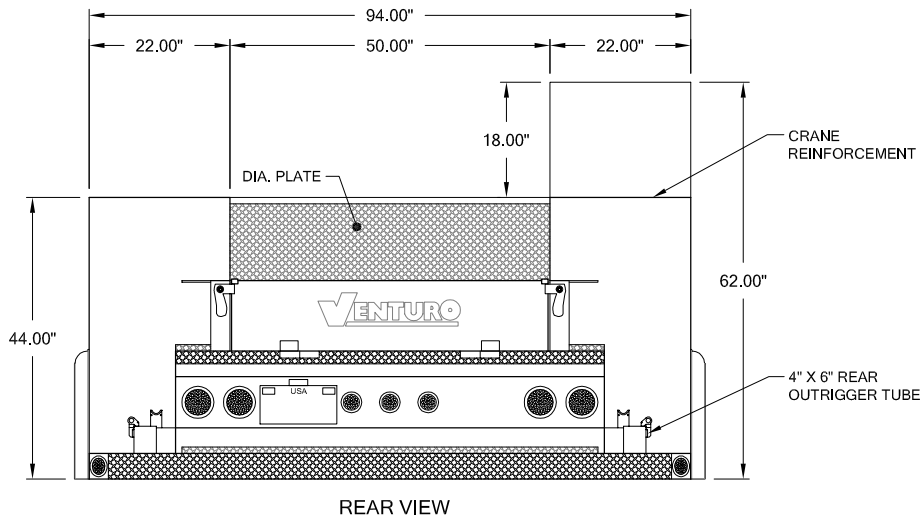
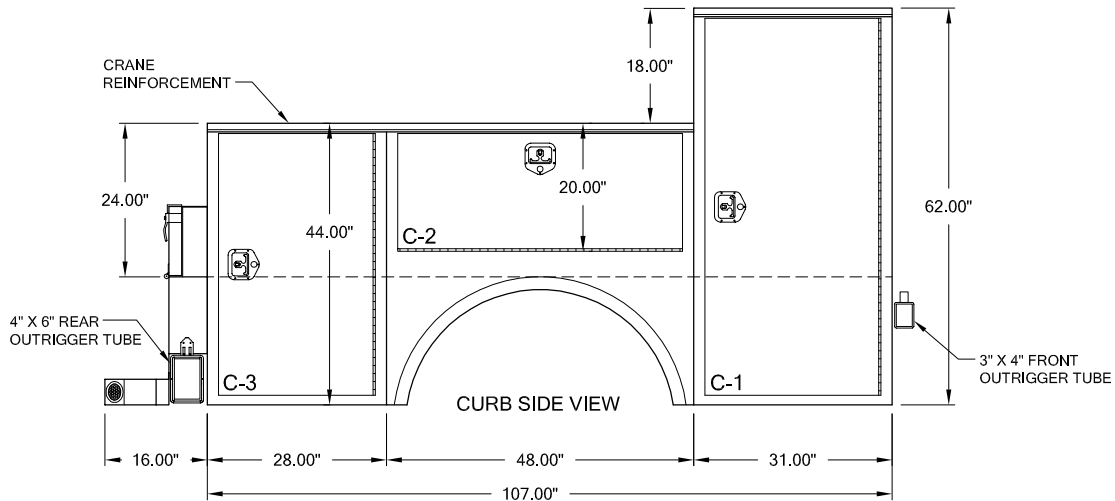
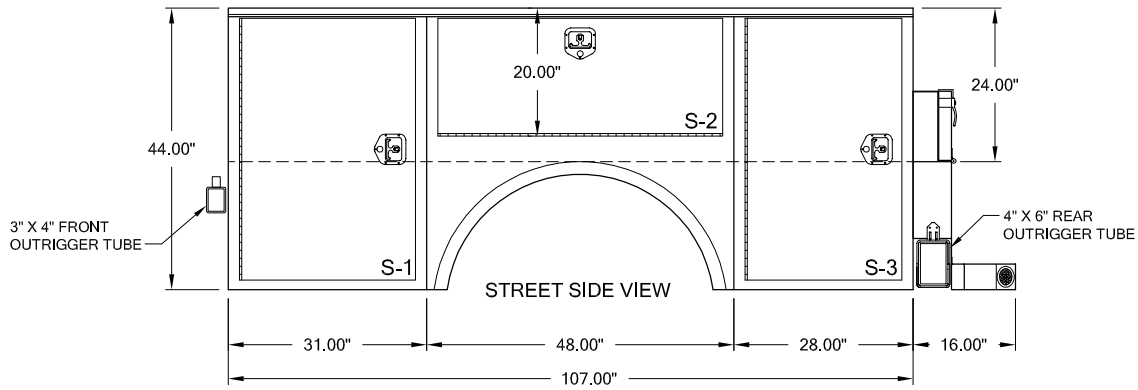
VENTURO CRANE BODIES

HT 25-107-FLT

SCALE: N.T.S. DATE: 10/12/2005 SHEET: 1 OF 1

REV.	DATE

HT 25-107-TFC



NOTES:

- 14 GA. DIAMOND PLATE STEEL BED WALL & COMP'T TOPS
- 14 GA. JET KOTE GALVANEAL STEEL BODY
- DOUBLE PANEL JET KOTE GALVANEAL STEEL DOORS W/ SPRING DOOR CHECKS
- FLAT 1/8" DIAMOND PLATE DECK WITHOUT WHEEL WELLS
- FULL LENGTH STAINLESS STEEL PIANO HINGE, PIN & T-HANDLE LATCHES W/ LOCKS
- FULL LENGTH DRIP RAIL OVER ALL COMPARTMENT DOORS
- UNOBSTRUCTED CRANE REINFORCED COMPARTMENTS
- TUBULAR LONGITUDINAL FRAME & CRANE COMPARTMENT CROSS MEMBERS
- AUTOMOTIVE TYPE DOOR SEALS & BODY UNDERCOATING

CLEAR DOOR OPENINGS

S-1 = 38.00"H X 25.00"W	C-1 = 56.00"H X 25.00"W
S-2 = 16.00"H X 42.00"W	C-2 = 16.00"H X 42.00"W
S-3 = 38.00"H X 22.00"W	C-3 = 38.00"H X 22.00"W



VENTURO CRANE BODIES

HT 25-107-TFC

SCALE: N.T.S.

DATE: 10/12/2005

SHEET: 1 OF 1

REV.	DATE