

# L-15 SPECIFICATIONS

## Moment Rating:

4500 Ft. - Lbs.

## Lift Capacities:

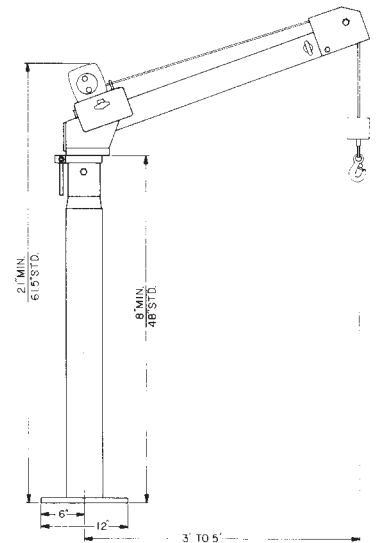
1500 lbs. @ 3 ft.  
 1125 lbs. @ 4 ft.  
 900 lbs. @ 5 ft.

## Boom:

Manual telescopes from 3' to 5' with intermediate position at 4'.

## Winch:

Planetary gear with permanent magnet motor.



Performance		
Load (Pounds)	Hook Speed (Feet Per Minute)	Electrical (Amperes)
0	18.5	20
1000	12.7	63
1500	9.8	85

Winch is controlled by two solenoids providing forward and reverse operation.

## Winch Cable:

$\frac{3}{16}$ " Galvanized Aircraft  $\times$  25' long (4200 lb. breaking strength) is supplied.

## Remote Pendant:

Control is 12 ft. long and removable from the crane for safety. A momentary contact switch controls winch forward and reverse. A 20' long control cord is available.

## Battery Cable:

25' of cable supplied with quick disconnect at crane and 3' long battery ground wire and 150 amp circuit breaker.

## Rotation:

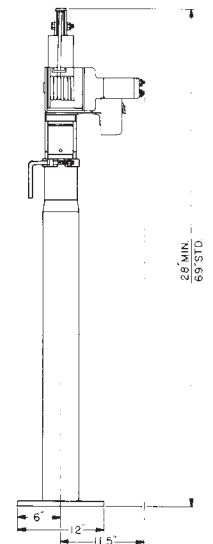
The crane rotates on two tapered roller bearings through a complete 360° rotation.

## Mounting:

4 -  $\frac{1}{2}$ "  $\times$   $2\frac{1}{2}$ " Grade 8 bolts are supplied. Crane mounts on  $\frac{9}{16}$ " square bolt pattern. Base plate is 12"  $\times$  12".

## Optional Accessories:

30328 Jack Stand  
 30330 Drum Tongs



**LIFTMOORE, INC.**  
 11505 Todd  
 Houston, Texas 77055  
 FAX (800) 824-5559 (USA & Canada)  
 FAX (713) 688-6324  
 (713) 688-5533